

PARTS LIST

CAUTION

- The parts identified by the \triangle symbol are important for the safety. Whenever replacing these parts, be sure to use specified ones to secure the safety.
- The parts not indicated in this Parts List and those which are filled with lines — in the Parts No. columns will not be supplied.
- P. W. Board Ass'y will not be supplied, but those which are filled with the Parts No. in the Parts No. columns will be supplied.

ABBREVIATIONS OF RESISTORS, CAPACITORS AND TOLERANCES

RESISTORS		CAPACITORS	
C R	Carbon Resistor	C CAP.	Ceramic Capacitor
F R	Fusible Resistor	E CAP.	Electrolytic Capacitor
P R	Plate Resistor	M CAP.	Mylar Capacitor
V R	Variable Resistor	HV CAP.	High Voltage Capacitor
HV R	High Voltage Resistor	MF CAP.	Metalized Film Capacitor
MF R	Metal Film Resistor	MM CAP.	Metalized Mylar Capacitor
MG R	Metal Glazed Resistor	MP CAP.	Metalized Polystyrol Capacitor
MP R	Metal Plate Resistor	PP CAP.	Polypropylene Capacitor
OM R	Metal Oxide Film Resistor	PS CAP.	Polystyrol Capacitor
CMF R	Coating Metal Film Resistor	TF CAP.	Thin Film Capacitor
UNF R	Non-Flammable Resistor	MPP CAP.	Metalized Polypropylene Capacitor
CH V R	Chip Variable Resistor	TAN. CAP.	Tantalum Capacitor
CH MG R	Chip Metal Glazed Resistor	CH C CAP.	Chip Ceramic Capacitor
COMP. R	Composition Resistor	BP E CAP.	Bi-Polar Electrolytic Capacitor
LPTC R	Linear Positive Temperature Coefficient Resistor	CH AL E CAP.	Chip Aluminum Electrolytic Capacitor
NETW R	Network Resistor	CH AL BP CAP.	Chip Aluminum Bi-Polar Capacitor
		CH TAN. E CAP.	Chip Tantalum Electrolytic Capacitor

TOLERANCES									
F	G	J	K	M	N	R	H	Z	P
±1%	±2%	±5%	±10%	±20%	±30%	+30%	+50%	+80%	+100%
						-10%	-10%	-20%	-0%

CONTENTS

- P.W. BOARDS 28
- EXPLODED VIEW PARTS LIST 28
- EXPLODED VIEW 29
- PRINTED WIRING BOARD PARTS LIST
 - MAIN PW BOARD ASS'Y 30
 - A2 PW BOARD ASS'Y 35
- PACKING / PACKING PARTS LIST 36
- REMOTE CONTROL UNIT PARTS LIST 36

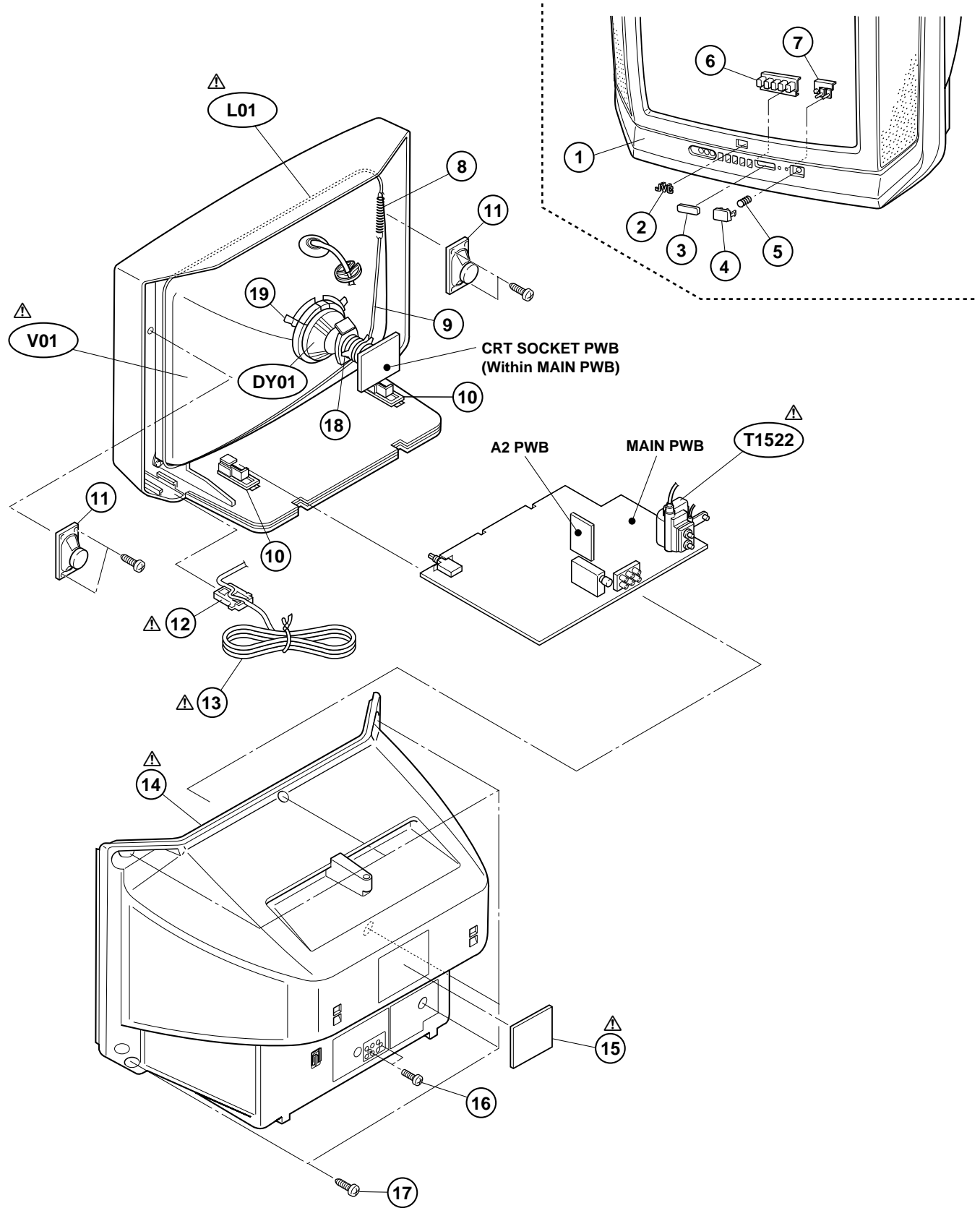
P.W. BOARDS

P.W.B. ASS'Y	PART NO.
MAIN P.W.B.	SCL-1283A-BK
A2 P.W.B.	SCL0A001A-BK

EXPLODED VIEW PARTS LIST

△ Ref.No.	Part No.	Part Name	Description	Local
△ V01	A51LMV20X	PICTURE TUBE		
△ L01	QQW0006-001	DEG COIL		
	DY01	CE20295-00C	DEFLECTION YOKE	
△ T1522	QQH0022-002	H.V. TRANSF.		
1	LC10394-029A-H	FRONT CABINET		
2	CM48006-007-C	JVC MARK		
3	LC30617-001C-H	E.E. WINDOW		
4	LC30616-004A-H	POWER KNOB		
5	CM35235-006-H	SPRING		
6	LC20292-004A-H	CONTROL KNOB		
7	LC30618-001A-H	LED LENS		
8	A48457-3-H	SPRING		
9	CHGB0016-0B-FH	BRAIDED ASSY		
10	CM36623-B01-H	CHASSIS RAIL	(x2)	
11	QAS0037-001	SPEAKER	(X2) SP01,SP02	
△ 12	CM47005-A01-H	CORD CLAMP		
△ 13	QMPR010-200-E2	POWER CORD	or QMPR010-200-K2	
△ 14	LC10448-001B-H	REAR COVER		
△ 15	CM22960-069-H	RATING LABEL		
16	QYSBSF3010Z	TAPPING SCREW	(x2)	
17	QYSBSFG4016Z	TAPPING SCREW	(x6)	
18	A75034-B	PC MAGNET		
19	CE40764-00A	WEDGE ASSY	(x3)	

EXPLODED VIEW



PRINTED WIRING BOARD PARTS LIST

MAIN P.W. BOARD ASS'Y (SCL-1283A-BK)

△ Symbol No.	Part No.	Part Name	Description	Local
RESISTOR				
R1002	QRE141J-221Y	C R	220Ω 1/4W J	
R1003	QRE141J-221Y	C R	220Ω 1/4W J	
R1101	QRE141J-224Y	C R	22kΩ 1/4W J	
R1102	QRE141J-153Y	C R	15kΩ 1/4W J	
R1103	QRE141J-682Y	C R	6.8kΩ 1/4W J	
R1104	QRE141J-181Y	C R	180Ω 1/4W J	
R1105	QRE141J-222Y	C R	2.2kΩ 1/4W J	
R1106	QRE141J-122Y	C R	1.2kΩ 1/4W J	
R1107	QRE141J-100Y	C R	10Ω 1/4W J	
R1108	QRE141J-750Y	C R	75Ω 1/4W J	
R1109	QRE141J-100Y	C R	10Ω 1/4W J	
R1110	QRE141J-272Y	C R	2.7kΩ 1/4W J	
R1111	QRE141J-101Y	C R	100Ω 1/4W J	
R1112	QRE141J-103Y	C R	10kΩ 1/4W J	
R1113	QRE141J-561Y	C R	560Ω 1/4W J	
R1114	QRE141J-561Y	C R	560Ω 1/4W J	
R1116	QRE141J-104Y	C R	100kΩ 1/4W J	
R1117	QRE141J-272Y	C R	2.7kΩ 1/4W J	
R1118	QRE141J-273Y	C R	27kΩ 1/4W J	
R1119	QRE141J-224Y	C R	22kΩ 1/4W J	
R1120	QRE141J-822Y	C R	8.2kΩ 1/4W J	
R1121	QRE141J-221Y	C R	220Ω 1/4W J	
R1123	QRE141J-151Y	C R	150Ω 1/4W J	
R1125	QRE141J-102Y	C R	1kΩ 1/4W J	
R1126	QRE141J-103Y	C R	10kΩ 1/4W J	
R1127	QRE141J-221Y	C R	220Ω 1/4W J	
R1128	QRE141J-821Y	C R	820Ω 1/4W J	
R1129	QRE141J-221Y	C R	220Ω 1/4W J	
R1130	QRE141J-222Y	C R	2.2kΩ 1/4W J	
R1131	QRE141J-271Y	C R	270Ω 1/4W J	
R1132	QRE141J-331Y	C R	330Ω 1/4W J	
R1133	QRE141J-331Y	C R	330Ω 1/4W J	
R1135	QRE141J-224Y	C R	22kΩ 1/4W J	
R1203	QRE141J-224Y	C R	22kΩ 1/4W J	
R1204	QRE141J-391Y	C R	390Ω 1/4W J	
R1205	QRE141J-391Y	C R	390Ω 1/4W J	
R1206	QRE141J-103Y	C R	10kΩ 1/4W J	
R1208	QRE141J-681Y	C R	680Ω 1/4W J	
R1209	QRE141J-821Y	C R	820Ω 1/4W J	
R1210	QRE141J-122Y	C R	1.2kΩ 1/4W J	
R1232	QRE141J-101Y	C R	100Ω 1/4W J	
R1233	QRE121J-101Y	C R	100Ω 1/2W J	
R1234	QRE141J-680Y	C R	68Ω 1/4W J	
R1235	QRE141J-750Y	C R	75Ω 1/4W J	
R1303	QRE141J-273Y	C R	27kΩ 1/4W J	
R1304	QRE141J-101Y	C R	100Ω 1/4W J	
R1305	QRE141J-101Y	C R	100Ω 1/4W J	
R1306	QRE141J-101Y	C R	100Ω 1/4W J	
R1307	QRE141J-102Y	C R	1kΩ 1/4W J	
R1308	QRE141J-102Y	C R	1kΩ 1/4W J	
R1309	QRE141J-102Y	C R	1kΩ 1/4W J	
R1310	QRE141J-102Y	C R	1kΩ 1/4W J	
R1311	QRE141J-333Y	C R	33kΩ 1/4W J	
R1313	QRE141J-103Y	C R	10kΩ 1/4W J	
R1314	QRE141J-101Y	C R	100Ω 1/4W J	
R1315	QRE141J-101Y	C R	100Ω 1/4W J	
R1351	QRE141J-151Y	C R	150Ω 1/4W J	
R1352	QRE141J-151Y	C R	150Ω 1/4W J	
R1353	QRE141J-151Y	C R	150Ω 1/4W J	
R1354	QRL029J-123	OM R	12kΩ 2W J	
R1355	QRE141J-222Y	C R	2.2kΩ 1/4W J	
R1356	QRE141J-331Y	C R	330Ω 1/4W J	
R1357	QRL029J-123	OM R	12kΩ 2W J	
R1358	QRE141J-222Y	C R	2.2kΩ 1/4W J	
R1359	QRE141J-331Y	C R	330Ω 1/4W J	
R1360	QRL029J-123	OM R	12kΩ 2W J	
R1361	QRE141J-222Y	C R	2.2kΩ 1/4W J	
R1362	QRE141J-331Y	C R	330Ω 1/4W J	
R1363	QRZ0107-152Z	C R	1.5kΩ 1/2W K	
R1364	QRE141J-562Y	C R	5.6kΩ 1/4W J	
R1365	QRE141J-101Y	C R	100Ω 1/4W J	
R1366	QRZ0107-152Z	C R	1.5kΩ 1/2W K	
R1367	QRE141J-101Y	C R	100Ω 1/4W J	

△ Symbol No.	Part No.	Part Name	Description	Local
RESISTOR				
R1368	QRZ0107-152Z	C R	1.5kΩ 1/2W K	
R1369	QRE141J-101Y	C R	100Ω 1/4W J	
R1370	QRE121J-104Y	C R	100kΩ 1/2W J	
R1372	QRE141J-103Y	C R	10kΩ 1/4W J	
R1373	QRE121J-104Y	C R	100kΩ 1/2W J	
R1403	QRE141J-682Y	C R	6.8kΩ 1/4W J	
R1422	QRE141J-472Y	C R	4.7kΩ 1/4W J	
R1423	QRE141J-221Y	C R	220Ω 1/4W J	
R1425	QRE141J-333Y	C R	33kΩ 1/4W J	
R1426	QRE141J-333Y	C R	33kΩ 1/4W J	
R1427	QRE141J-103Y	C R	10kΩ 1/4W J	
R1429	QRE141J-562Y	C R	5.6kΩ 1/4W J	
R1430	QRE141J-103Y	C R	10kΩ 1/4W J	
R1431	QRE141J-822Y	C R	8.2kΩ 1/4W J	
R1432	QRE121J-6R8Y	C R	6.8Ω 1/2W J	
R1433	QRE121J-4R7Y	C R	4.7Ω 1/2W J	
R1434	QRE141J-183Y	C R	18kΩ 1/4W J	
R1440	QRG01GJ-221	OM R	220Ω 1W J	
R1441	QRE141J-682Y	C R	6.8kΩ 1/4W J	
R1442	QRE141J-822Y	C R	8.2kΩ 1/4W J	
R1443	QRK129J-1R0	C R	1.0Ω 1/2W J	
R1444	QRE121J-821Y	C R	820Ω 1/2W J	
R1450	QRE141J-222Y	C R	2.2kΩ 1/4W J	
R1451	QRE141J-103Y	C R	10kΩ 1/4W J	
R1452	QRE141J-222Y	C R	2.2kΩ 1/4W J	
R1453	QRE141J-122Y	C R	1.2kΩ 1/4W J	
R1501	QRE141J-822Y	C R	8.2kΩ 1/4W J	
R1502	QRE141J-621Y	C R	620Ω 1/4W J	
R1504	QRE141J-103Y	C R	10kΩ 1/4W J	
R1505	QRE141J-104Y	C R	100kΩ 1/4W J	
R1506	QRG01GJ-121	OM R	120Ω 1W J	
R1522	QRE141J-123Y	C R	12kΩ 1/4W J	
R1523	QRE121J-222Y	C R	2.2kΩ 1/2W J	
R1524	QRG029J-222	OM R	2.2kΩ 2W J	
R1525	QRG029J-222	OM R	2.2kΩ 2W J	
R1526	QRE121J-220Y	C R	22Ω 1/2W J	
R1528	QRE121J-471Y	C R	470Ω 1/2W J	
R1529	QRL039J-221	OM R	220Ω 3W J	
R1582	QRE141J-822Y	C R	8.2kΩ 1/4W J	
R1583	QRE141J-123Y	C R	12kΩ 1/4W J	
R1591	QRE141J-273Y	C R	27kΩ 1/4W J	
R1594	QRE141J-332Y	C R	3.3kΩ 1/4W J	
R1601	QRE141J-182Y	C R	1.8kΩ 1/4W J	
R1602	QRE141J-102Y	C R	1kΩ 1/4W J	
R1603	QRE141J-103Y	C R	10kΩ 1/4W J	
R1604	QRE141J-222Y	C R	2.2kΩ 1/4W J	
R1605	QRE141J-221Y	C R	220Ω 1/4W J	
R1606	QRE141J-152Y	C R	1.5kΩ 1/4W J	
R1607	QRE141J-182Y	C R	1.8kΩ 1/4W J	
R1608	QRE141J-561Y	C R	560Ω 1/4W J	
R1609	QRE141J-471Y	C R	470Ω 1/4W J	
R1610	QRE141J-222Y	C R	2.2kΩ 1/4W J	
R1611	QRE141J-152Y	C R	1.5kΩ 1/4W J	
R1612	QRE141J-471Y	C R	470Ω 1/4W J	
R1615	QRE141J-181Y	C R	180Ω 1/4W J	
R1616	QRE141J-220Y	C R	22Ω 1/4W J	
R1617	QRE141J-821Y	C R	820Ω 1/4W J	
R1619	QRE141J-102Y	C R	1kΩ 1/4W J	
R1620	QRE141J-102Y	C R	1kΩ 1/4W J	
R1621	QRE141J-393Y	C R	39kΩ 1/4W J	
R1622	QRE141J-103Y	C R	10kΩ 1/4W J	
R1623	QRE141J-391Y	C R	390Ω 1/4W J	
R1624	QRE141J-101Y	C R	100Ω 1/4W J	
R1625	QRE141J-561Y	C R	560Ω 1/4W J	
R1626	QRE141J-182Y	C R	1.8kΩ 1/4W J	
R1627	QRE141J-561Y	C R	560Ω 1/4W J	
R1628	QRE141J-561Y	C R	560Ω 1/4W J	
R1629	QRE141J-221Y	C R	220Ω 1/4W J	
R1630	QRE141J-221Y	C R	220Ω 1/4W J	
R1631	QRE141J-681Y	C R	680Ω 1/4W J	
R1632	QRE141J-681Y	C R	680Ω 1/4W J	
R1633	QRE141J-102Y	C R	1kΩ 1/4W J	
R1634	QRE141J-102Y	C R	1kΩ 1/4W J	

Symbol No.	Part No.	Part Name	Description	Local
RESISTOR				
R1635	QRE141J-472Y	C R	4.7kΩ 1/4W J	
R1636	QRE141J-472Y	C R	4.7kΩ 1/4W J	
R1637	QRE141J-181Y	C R	180Ω 1/4W J	
R1638	QRE141J-181Y	C R	180Ω 1/4W J	
R1640	QRE141J-105Y	C R	100kΩ 1/4W J	
R1641	QRE141J-822Y	C R	8.2kΩ 1/4W J	
R1642	QRE141J-154Y	C R	150kΩ 1/4W J	
R1643	QRE141J-102Y	C R	1kΩ 1/4W J	
R1644	QRE141J-562Y	C R	5.6kΩ 1/4W J	
R1645	QRE141J-562Y	C R	5.6kΩ 1/4W J	
R1646	QRE141J-562Y	C R	5.6kΩ 1/4W J	
R1647	QRE141J-102Y	C R	1kΩ 1/4W J	
R1648	QRE141J-562Y	C R	5.6kΩ 1/4W J	
R1649	QRE141J-182Y	C R	1.8kΩ 1/4W J	
R1651	QRE141J-182Y	C R	1.8kΩ 1/4W J	
R1652	QRE141J-103Y	C R	10kΩ 1/4W J	
R1653	QRE141J-122Y	C R	1.2kΩ 1/4W J	
R1654	QRE141J-182Y	C R	1.8kΩ 1/4W J	
R1655	QRE141J-103Y	C R	10kΩ 1/4W J	
R1656	QRE141J-122Y	C R	1.2kΩ 1/4W J	
R1661	QRE141J-101Y	C R	100Ω 1/4W J	
R1664	QRK129J-4R7	C R	4.7Ω 1/2W J	
R1665	QRK129J-4R7	C R	4.7Ω 1/2W J	
R1666	QRE141J-561Y	C R	560Ω 1/4W J	
R1667	QRE141J-561Y	C R	560Ω 1/4W J	
R1668	QRE141J-181Y	C R	180Ω 1/4W J	
R1669	QRE141J-181Y	C R	180Ω 1/4W J	
R1671	QRE141J-101Y	C R	100Ω 1/4W J	
R1672	QRE141J-101Y	C R	100Ω 1/4W J	
R1694	QRE141J-104Y	C R	100kΩ 1/4W J	
R1701	QRE141J-473Y	C R	47kΩ 1/4W J	
R1702	QRB089J-682	NETW. R	6.8kΩ	
R1703	QRE141J-682Y	C R	6.8kΩ 1/4W J	
R1704	QRE141J-561Y	C R	560Ω 1/4W J	
R1705	QRE141J-561Y	C R	560Ω 1/4W J	
R1706	QRE141J-821Y	C R	820Ω 1/4W J	
R1707	QRE141J-103Y	C R	10kΩ 1/4W J	
R1708	QRE141J-103Y	C R	10kΩ 1/4W J	
R1709	QRE141J-223Y	C R	22kΩ 1/4W J	
R1710	QRE141J-682Y	C R	6.8kΩ 1/4W J	
R1711	QRE141J-103Y	C R	10kΩ 1/4W J	
R1712	QRE141J-563Y	C R	56kΩ 1/4W J	
R1713	QRE141J-223Y	C R	22kΩ 1/4W J	
R1714	QRE141J-103Y	C R	10kΩ 1/4W J	
R1719	QRE141J-562Y	C R	5.6kΩ 1/4W J	
R1720	QRE141J-562Y	C R	5.6kΩ 1/4W J	
R1721	QRE141J-562Y	C R	5.6kΩ 1/4W J	
R1722	QRE141J-562Y	C R	5.6kΩ 1/4W J	
R1724	QRE141J-682Y	C R	6.8kΩ 1/4W J	
R1725	QRB089J-682	NETW. R	6.8kΩ	
R1728	QRE141J-682Y	C R	6.8kΩ 1/4W J	
R1733	QRE141J-221Y	C R	220Ω 1/4W J	
R1734	QRE141J-221Y	C R	220Ω 1/4W J	
R1735	QRE141J-221Y	C R	220Ω 1/4W J	
R1736	QRE141J-221Y	C R	220Ω 1/4W J	
R1737	QRE141J-124Y	C R	120kΩ 1/4W J	
R1738	QRE141J-683Y	C R	68kΩ 1/4W J	
R1739	QRE141J-682Y	C R	6.8kΩ 1/4W J	
R1740	QRE141J-221Y	C R	220Ω 1/4W J	
R1741	QRE141J-221Y	C R	220Ω 1/4W J	
R1742	QRE141J-221Y	C R	220Ω 1/4W J	
R1743	QRE141J-221Y	C R	220Ω 1/4W J	
R1744	QRE141J-221Y	C R	220Ω 1/4W J	
R1746	QRE141J-473Y	C R	47kΩ 1/4W J	
R1747	QRE141J-682Y	C R	6.8kΩ 1/4W J	
R1748	QRE141J-682Y	C R	6.8kΩ 1/4W J	
R1749	QRE141J-102Y	C R	1kΩ 1/4W J	
R1750	QRE141J-102Y	C R	1kΩ 1/4W J	
R1751	QRE141J-103Y	C R	10kΩ 1/4W J	
R1752	QRE141J-332Y	C R	3.3kΩ 1/4W J	
R1753	QRE141J-682Y	C R	6.8kΩ 1/4W J	
R1754	QRE141J-103Y	C R	10kΩ 1/4W J	
R1755	QRE141J-332Y	C R	3.3kΩ 1/4W J	
R1756	QRE141J-681Y	C R	680Ω 1/4W J	
R1757	QRE141J-222Y	C R	2.2kΩ 1/4W J	
R1758	QRE141J-222Y	C R	2.2kΩ 1/4W J	

Symbol No.	Part No.	Part Name	Description	Local
RESISTOR				
R1759	QRE141J-103Y	C R	10kΩ 1/4W J	
R1760	QRE141J-102Y	C R	1kΩ 1/4W J	
R1762	QRE141J-822Y	C R	8.2kΩ 1/4W J	
R1901	QRF104K-3R9	UNF R	3.9Ω 10W K	
R1902	QRL039J-683	OM R	68kΩ 3W J	
R1921	QRE121J-681Y	C R	680Ω 1/2W J	
R1922	QRX029J-2R2	MF R	2.2Ω 2W J	
R1923	QRMO59J-R22	MP R	0.22Ω 5W J	
R1926	QRE141J-152Y	C R	1.5kΩ 1/4W J	
R1928	QRL039J-473	OM R	47kΩ 3W J	
R1929	QRE121J-332Y	C R	3.3kΩ 1/2W J	
R1932	QRE121J-824Y	C R	820kΩ 1/2W J	
R1933	QRK129J-3R9	C R	3.9Ω 1/2W J	
R1934	QRE121J-333Y	C R	33kΩ 1/2W J	
R1935	QRE141J-152Y	C R	1.5kΩ 1/4W J	
R1941	QRE121J-152Y	C R	1.5kΩ 1/2W J	
R1943	QRE141J-472Y	C R	4.7kΩ 1/4W J	
R1944	QRE121J-332Y	C R	3.3kΩ 1/2W J	
R1946	QRE141J-153Y	C R	15kΩ 1/4W J	
R1970	QRG01GJ-100	OM R	10Ω 1W J	
R1971	QRE141J-223Y	C R	22kΩ 1/4W J	
R1972	QRE121J-152Y	C R	1.5kΩ 1/2W J	
R1973	QRL029J-390	OM R	39Ω 2W J	
R1974	QRE141J-332Y	C R	3.3kΩ 1/4W J	
R1975	QRE141J-123Y	C R	12kΩ 1/4W J	
R1977	QRG029J-183	OM R	18kΩ 2W J	
R1979	QRL039J-270	OM R	27Ω 3W J	
R1980	QRE141J-821Y	C R	820Ω 1/4W J	
R1981	QRE141J-222Y	C R	2.2kΩ 1/4W J	
R1982	QRE141J-822Y	C R	8.2kΩ 1/4W J	
R1983	QRE141J-102Y	C R	1kΩ 1/4W J	
Δ R1991	QRZ0057-825	C R	8.2MΩ 1W J	

CAPACITOR

C1001	QETN1HM-475Z	E CAP.	4.7μF 50V M
C1003	QETN1HM-106Z	E CAP.	10μF 50V M
C1005	QFV71HJ-104Z	TF CAP.	0.1μF 50V J
C1006	QCB31HK-103Z	C CAP.	0.01μF 50V K
C1008	QETN1HM-106Z	E CAP.	10μF 50V M
C1015	QCB31HK-222Z	C CAP.	2200pF 50V K
C1101	QCB31HK-472Z	C CAP.	4700pF 50V K
C1102	QCB31HK-472Z	C CAP.	4700pF 50V K
C1103	QCB31HK-472Z	C CAP.	4700pF 50V K
C1104	QCB31HK-472Z	C CAP.	4700pF 50V K
C1105	QCB31HK-472Z	C CAP.	4700pF 50V K
C1106	QCB31HK-472Z	C CAP.	4700pF 50V K
C1107	QCB31HK-472Z	C CAP.	4700pF 50V K
C1108	QCB31HK-103Z	C CAP.	0.01μF 50V K
C1110	QCB31HK-103Z	C CAP.	0.01μF 50V K
C1111	QCB31HK-103Z	C CAP.	0.01μF 50V K
C1112	QFLC1HJ-104Z	M CAP.	0.1μF 50V J
C1113	QCB31HK-103Z	C CAP.	0.01μF 50V K
C1114	QETN1HM-474Z	E CAP.	0.47μF 50V M
C1116	QETN1HM-474Z	E CAP.	0.47μF 50V M
C1118	QCB31HK-103Z	C CAP.	0.01μF 50V K
C1119	QETN1EM-476Z	E CAP.	47μF 25V M
C1120	QETN1EM-476Z	E CAP.	47μF 25V M
C1121	QCB31HK-103Z	C CAP.	0.01μF 50V K
C1122	QETN1EM-476Z	E CAP.	47μF 25V M
C1123	QCB31HK-103Z	C CAP.	0.01μF 50V K
C1124	QETN1EM-476Z	E CAP.	47μF 25V M
C1135	QCB31HK-103Z	C CAP.	0.01μF 50V K
C1136	QFLC1HJ-103Z	M CAP.	0.01μF 50V J
C1201	QETN1CM-107Z	E CAP.	100μF 16V M
C1202	QFLC1HJ-104Z	M CAP.	0.1μF 50V J
C1203	QFV71HJ-684Z	TF CAP.	0.68μF 50V J
C1204	QFLC1HJ-104Z	M CAP.	0.1μF 50V J
C1205	QETN1HM-475Z	E CAP.	4.7μF 50V M
C1206	QCB31HK-103Z	C CAP.	0.01μF 50V K
C1207	QETN1CM-107Z	E CAP.	100μF 16V M
C1208	QETN1HM-106Z	E CAP.	10μF 50V M
C1209	QCB31HK-103Z	C CAP.	0.01μF 50V K
C1210	QETN1HM-106Z	E CAP.	10μF 50V M
C1212	QETN1HM-106Z	E CAP.	10μF 50V M

Symbol No.	Part No.	Part Name	Description	Local
CAPACITOR				
C1213	QENC1CM-106Z	BP E CAP.	10μF 16V M	
C1231	QETN1CM-227Z	E CAP.	220μF 16V M	
C1232	QETN1CM-477Z	E CAP.	470μF 16V M	
C1233	QETN1HM-106Z	E CAP.	10μF 50V M	
C1234	QENC1EM-106Z	BP E CAP.	10μF 25V M	
C1235	QETN1EM-476Z	E CAP.	47μF 25V M	
C1236	QENC1EM-106Z	BP E CAP.	10μF 25V M	
C1301	QFLC1HJ-473Z	M CAP.	0.047μF 50V J	
C1302	QCB31HK-103Z	C CAP.	0.01μF 50V K	
C1303	QDC31HJ-120Z	C CAP.	12pF 50V J	
C1304	QFLC1HJ-104Z	M CAP.	0.1μF 50V J	
C1305	QFLC1HJ-104Z	M CAP.	0.1μF 50V J	
C1306	QFLC1HJ-104Z	M CAP.	0.1μF 50V J	
C1307	QETN1HM-225Z	E CAP.	2.2μF 50V M	
C1308	QCB31HK-103Z	C CAP.	0.01μF 50V K	
C1309	QETN1HM-475Z	E CAP.	4.7μF 50V M	
C1310	QCB31HK-103Z	C CAP.	0.01μF 50V K	
C1311	QETN1CM-107Z	E CAP.	100μF 16V M	
C1312	QETN1CM-227Z	E CAP.	220μF 16V M	
C1316	QCS31HJ-101Z	C CAP.	100pF 50V K	
C1317	QCS31HJ-101Z	C CAP.	100pF 50V K	
C1351	QETN1CM-107Z	E CAP.	100μF 16V M	
C1353	QCB31HK-331Z	C CAP.	330pF 50V K	
C1355	QCB31HK-331Z	C CAP.	330pF 50V K	
C1357	QCB31HK-391Z	C CAP.	390pF 50V K	
C1359	QFZ0097-223	MM CAP.	0.022μF 1250V K	
C1360	QFLC1HJ-103Z	M CAP.	0.01μF 50V J	
C1402	QEM61HK-225Z	E CAP.	2.2μF 50V K	
C1405	QETN1HM-105Z	E CAP.	1μF 50V M	
C1422	QFN31HJ-182Z	M CAP.	1800pF 50V J	
C1423	QFLC2AJ-473Z	M CAP.	0.047μF 100V J	
C1427	QETN1VM-107Z	E CAP.	100μF 35V M	
C1428	QETN1VM-107Z	E CAP.	100μF 35V M	
C1430	QFLC2AJ-103Z	M CAP.	0.01μF 100V J	
C1433	QETN1HM-475Z	E CAP.	4.7μF 50V M	
C1435	QETN1EM-108	E CAP.	1000μF 25V M	
C1436	QFV71HJ-334Z	TF CAP.	0.33μF 50V J	
C1437	QFN31HJ-102Z	M CAP.	1000pF 50V J	
C1450	QETN1CM-107Z	E CAP.	100μF 16V M	
C1501	QCB31HK-103Z	C CAP.	0.01μF 50V K	
C1502	QETN1HM-105Z	E CAP.	1μF 50V M	
C1503	QETN1AM-108Z	E CAP.	1000μF 10V M	
C1504	QCB31HK-103Z	C CAP.	0.01μF 50V K	
C1505	QCB31HK-103Z	C CAP.	0.01μF 50V K	
C1506	QCB31HK-103Z	C CAP.	0.01μF 50V K	
C1507	QFLC1HJ-103Z	M CAP.	0.01μF 50V J	
C1508	QETN1EM-476Z	E CAP.	47μF 25V M	
C1509	QCB31HK-103Z	C CAP.	0.01μF 50V K	
C1510	QCB31HK-103Z	C CAP.	0.01μF 50V K	
C1521	QCB32HK-151Z	C CAP.	150pF 500V K	
C1522	QCB32HK-102Z	C CAP.	1000pF 500V K	
C1523	QEHR2CM-105Z	E CAP.	1μF 160V M	
C1524	QFZ0198-862	MPP CAP.	8600pF 1.5kVH ±3%	
C1527	QFZ0119-474	MPP CAP.	0.47μF 200V ±3%	
C1530	QCB32HK-561Z	C CAP.	560pF 500V K	
C1551	QCB32HK-152Z	C CAP.	1500pF 500V K	
C1552	QETN1VM-108	E CAP.	1000μF 35V M	
C1557	QETN2EM-225Z	E CAP.	2.2μF 250V M	
C1571	QEHQ2CM-476	E CAP.	47μF 160V M	
C1581	QFLC1HJ-104Z	M CAP.	0.1μF 50V J	
C1591	QETN1AM-227Z	E CAP.	220μF 10V M	
C1601	QETN1HM-106Z	E CAP.	10μF 50V M	
C1602	QFLC1HJ-473Z	M CAP.	0.047μF 50V J	
C1603	QDC31HJ-470Z	C CAP.	47pF 50V J	
C1604	QDC31HJ-470Z	C CAP.	47pF 50V J	
C1606	QCB31HK-103Z	C CAP.	0.01μF 50V K	
C1607	QETN1CM-107Z	E CAP.	100μF 16V M	
C1608	QCB31HK-103Z	C CAP.	0.01μF 50V K	
C1609	QCB31HK-103Z	C CAP.	0.01μF 50V K	
C1610	QCB31HK-103Z	C CAP.	0.01μF 50V K	
C1611	QCB31HK-103Z	C CAP.	0.01μF 50V K	
C1612	QCB31HK-103Z	C CAP.	0.01μF 50V K	
C1631	QETN1HM-106Z	E CAP.	10μF 50V M	
C1632	QETN1HM-106Z	E CAP.	10μF 50V M	
C1633	QETN1HM-106Z	E CAP.	10μF 50V M	
C1634	QETN1HM-106Z	E CAP.	10μF 50V M	

Symbol No.	Part No.	Part Name	Description	Local
CAPACITOR				
C1637	QENC1CM-226Z	BP E CAP.	22μF 16V M	
C1638	QETN1AM-107Z	E CAP.	100μF 10V M	
C1639	QFLC1HJ-563Z	M CAP.	0.056μF 50V J	
C1640	QFLC1HJ-393Z	M CAP.	0.039μF 50V J	
C1641	QETN1HM-106Z	E CAP.	10μF 50V M	
C1642	QETN1HM-106Z	E CAP.	10μF 50V M	
C1643	QETN1HM-106Z	E CAP.	10μF 50V M	
C1644	QENC1CM-226Z	BP E CAP.	22μF 16V M	
C1645	QCB31HK-103Z	C CAP.	0.01μF 50V K	
C1646	QFLC1HJ-273Z	M CAP.	0.027μF 50V J	
C1647	QETN1HM-105Z	E CAP.	1μF 50V M	
C1648	QENC1CM-226Z	BP E CAP.	22μF 16V M	
C1650	QETN1HM-106Z	E CAP.	10μF 50V M	
C1651	QETN1HM-226Z	E CAP.	22μF 50V M	
C1652	QETN1EM-476Z	E CAP.	47μF 25V M	
C1653	QCB31HK-272Z	C CAP.	2700pF 50V K	
C1654	QCB31HK-272Z	C CAP.	2700pF 50V K	
C1655	QETN1HM-225Z	E CAP.	2.2μF 50V M	
C1656	QETN1HM-106Z	E CAP.	10μF 50V M	
C1657	QETN1HM-106Z	E CAP.	10μF 50V M	
C1658	QFLC1HJ-104Z	M CAP.	0.1μF 50V J	
C1659	QFLC1HJ-104Z	M CAP.	0.1μF 50V J	
C1660	QFLC1HJ-104Z	M CAP.	0.1μF 50V J	
C1661	QFLC1HJ-104Z	M CAP.	0.1μF 50V J	
C1662	QETN1HM-225Z	E CAP.	2.2μF 50V M	
C1663	QFLC1HJ-104Z	M CAP.	0.1μF 50V J	
C1664	QFLC1HJ-104Z	M CAP.	0.1μF 50V J	
C1665	QETN1HM-106Z	E CAP.	10μF 50V M	
C1670	QCS31HJ-221Z	C CAP.	220pF 50V J	
C1671	QENC1CM-106Z	BP E CAP.	10μF 16V M	
C1672	QCS31HJ-221Z	C CAP.	220pF 50V J	
C1673	QENC1CM-106Z	BP E CAP.	10μF 16V M	
C1674	QETN1EM-227Z	E CAP.	220μF 25V M	
C1675	QETN1EM-476Z	E CAP.	47μF 25V M	
C1676	QETN1EM-476Z	E CAP.	47μF 25V M	
C1677	QETN1EM-107Z	E CAP.	100μF 25V M	
C1678	QETN1EM-107Z	E CAP.	100μF 25V M	
C1679	QETN1EM-108	E CAP.	1000μF 25V M	
C1680	QETN1EM-108	E CAP.	1000μF 25V M	
C1681	QFLC1HJ-104Z	M CAP.	0.1μF 50V J	
C1682	QFLC1HJ-104Z	M CAP.	0.1μF 50V J	
C1684	QETN1CM-107Z	E CAP.	100μF 16V M	
C1685	QFLC1HJ-104Z	M CAP.	0.1μF 50V J	
C1686	QFLC1HJ-104Z	M CAP.	0.1μF 50V J	
C1701	QETN1CM-107Z	E CAP.	100μF 16V M	
C1702	QFLC1HJ-104Z	M CAP.	0.1μF 50V J	
C1703	QETN1EM-476Z	E CAP.	47μF 25V M	
C1704	QFN31HJ-102Z	M CAP.	1000pF 50V J	
C1705	QETN1AM-107Z	E CAP.	100μF 10V M	
C1707	QFN31HJ-272Z	M CAP.	2700pF 50V J	
C1708	QFN31HJ-222Z	M CAP.	2200pF 50V J	
C1709	QCS31HJ-560Z	C CAP.	56pF 50V J	
C1710	QCB31HK-103Z	C CAP.	0.01μF 50V K	
C1711	QFLC1HJ-104Z	M CAP.	0.1μF 50V J	
C1712	QETN1HM-106Z	E CAP.	10μF 50V M	
C1713	QCS31HJ-181Z	C CAP.	180pF 50V J	
C1714	QFLC1HJ-103Z	M CAP.	0.01μF 50V J	
C1715	QFLC1HJ-473Z	M CAP.	0.047μF 50V J	
C1721	QETN1HM-106Z	E CAP.	10μF 50V M	
C1723	QETN1AM-107Z	E CAP.	100μF 10V M	
C1724	QCS31HJ-101Z	C CAP.	100pF 50V K	
C1725	QCS31HJ-181Z	C CAP.	180pF 50V J	
C1728	QFLC1HJ-103Z	M CAP.	0.01μF 50V J	
C1729	QFLC1HJ-103Z	M CAP.	0.01μF 50V J	
C1730	QFLC1HJ-103Z	M CAP.	0.01μF 50V J	
C1751	QETN1EM-476Z	E CAP.	47μF 25V M	
C1752	QETN1HM-106Z	E CAP.	10μF 50V M	
△ C1902	QFZ9040-104	MF CAP.	0.1μF AC275V M	
△ C1903	QFZ9040-473	MF CAP.	0.047μF AC275V M	
C1904	QCZ9078-102	C CAP.	1000pF AC250V M	
C1905	QCZ9078-102	C CAP.	1000pF AC250V M	
C1906	QCZ9078-102	C CAP.	1000pF AC250V M	
C1907	QCZ9078-102	C CAP.	1000pF AC250V M	
C1909	QEZO199-227	E CAP.	220μF 400V M	
C1921	QCZ0325-391	C CAP.	390pF 2kV K	
C1922	QCB31HK-471Z	C CAP.	470pF 50V K	

Symbol No.	Part No.	Part Name	Description	Local
CAPACITOR				
C1924	QETN1VM-107Z	E CAP.	100µF 35V	M
C1926	QFLC1HJ-222Z	M CAP.	2200pF 50V	J
C1929	QCZ0334-103	C CAP.	0.01µF 500V	P
C1930	QCZ0122-221	C CAP.	220pF 2kV	K
C1931	QCZ0325-271	C CAP.	270pF 2kV	K
C1941	QCZ0122-561	C CAP.	560pF 2kV	K
C1942	QEZO203-107	E CAP.	100µF 160V	M
C1944	QCB31HK-332Z	C CAP.	3300pF 50V	K
C1945	QETM1EM-108	E CAP.	1000µF 25V	M
C1946	QETN1EM-227Z	E CAP.	220µF 25V	M
C1947	QCB32HK-561Z	C CAP.	560pF 500V	K
C1948	QETM1VM-108	E CAP.	1000µF 35V	M
C1949	QCS31HJ-391Z	C CAP.	390pF 50V	J
C1950	QFLC1HJ-104Z	M CAP.	0.1µF 50V	J
C1954	QCB31HK-103Z	C CAP.	0.01µF 50V	K
C1971	QETN1HM-106Z	E CAP.	10µF 50V	M
C1972	QETM1EM-108	E CAP.	1000µF 25V	M
C1974	QETM1EM-108	E CAP.	1000µF 25V	M
C1975	QETN1EM-107Z	E CAP.	100µF 25V	M
C1976	QETN1CM-107Z	E CAP.	100µF 16V	M
C1977	QETN1CM-107Z	E CAP.	100µF 16V	M
C1978	QETN1AM-107Z	E CAP.	100µF 10V	M
△ C1991	QCZ9079-471	C CAP.	470pF AC250V	K
△ C1992	QCZ9079-471	C CAP.	470pF AC250V	K
△ C1993	QCZ9079-222	C CAP.	2200pF AC250V	M

TRANSFORMER

T1101	CELT001-303J3	CW TRANSF.		
T1521	CE42034-001	HOR DRIVE TRANSF.		
△ T1522	QQH0022-002	H.V. TRANSF.		
△ T1921	CETS128-001JM	SW TRANSF.		

COIL

L1101	QQL05BK-2R2	PEAKING COIL		
L1104	QQL244K-150Z	COIL	15µH	K
L1105	QQL244K-8R2Z	COIL	8.2µH	K
L1106	QQL244K-100Z	COIL	10µH	K
L1301	QQL244K-470Z	COIL	47µH	K
L1302	QQL244K-470Z	COIL	47µH	K
L1303	QQL244K-4R7Z	COIL	4.7µH	K
L1351	QQL244K-820Z	COIL	82µH	K
L1352	QQL244K-820Z	COIL	82µH	K
L1353	QQL244K-820Z	COIL	82µH	K
L1522	QQR1005-001	LINEARITY COIL		
L1551	QQLZ018-220	HEATER CHOKE		
L1552	QQLZ31J-560Y	COIL		
L1601	QQL244K-120Z	COIL	12µH	K
L1701	QQL244K-5R6Z	COIL	5.6µH	K
L1941	QQL42AK-820Z	CHOKE COIL	82µH	K
L1942	QQL42AK-820Z	CHOKE COIL	82µH	K
L1943	QQL26AM-2R2Z	CHOKE COIL		

DIODE

D1001	MTZJ33A-T2	ZENER DIODE		
D1101	1SS85-T2	SI DIODE		
D1102	1SS85-T2	SI DIODE		
D1104	1SS133-T2	SI DIODE		
D1203	1SS133-T2	SI DIODE		
D1231	MTZJ13B-T2	ZENER DIODE		
D1232	MTZJ13B-T2	ZENER DIODE		
D1421	1SS133-T2	SI DIODE		
D1422	MTZJ36A-T2	ZENER DIODE		
D1423	1SR124-400A-T2	SI DIODE		
D1424	MTZJ36A-T2	ZENER DIODE		
D1425	1SS133-T2	SI DIODE		
D1501	MTZJ9.1B-T2	ZENER DIODE		
D1502	MTZJ5.1B-T2	ZENER DIODE		
D1551	RGP10J-5025-T3	SI DIODE		
D1553	RH1S-T3	SI DIODE		
D1582	RGP10J-5025-T3	SI DIODE		

Symbol No.	Part No.	Part Name	Description	Local
DIODE				
D1631	MTZJ13B-T2	ZENER DIODE		
D1632	MTZJ13B-T2	ZENER DIODE		
D1701	1SS133-T2	SI DIODE		
D1702	1SS133-T2	SI DIODE		
D1703	1SS133-T2	SI DIODE		
D1705	1SS133-T2	SI DIODE		
D1706	MTZJ8.2B-T2	ZENER DIODE		
D1707	MTZJ8.2B-T2	ZENER DIODE		
D1708	MTZJ8.2B-T2	ZENER DIODE		
D1709	MTZJ8.2B-T2	ZENER DIODE		
D1710	1SS133-T2	SI DIODE		
D1739	MTZJ8.2B-T2	ZENER DIODE		
D1751	SLR-342VR-T16	LED (RED)		
D1752	SLR-342MC-T16	LED (GRN)		
D1753	1SS133-T2	SI DIODE		
D1754	P1241-04	CDS		
D1758	1SS133-T2	SI DIODE		
D1901	D3SBA60	BRIDGE DIODE		
D1921	1SR124-400A-T2	SI DIODE		
D1922	1SS133-T2	SI DIODE		
D1924	1SS133-T2	SI DIODE		
D1926	EG1A-T3	SI DIODE		
D1927	MTZJ6.8A-T2	ZENER DIODE		
D1929	MTZJ15A-T2	ZENER DIODE		
D1941	RU3AM-LFC4	SI DIODE		
D1942	ERC30-02L38	SI DIODE		
D1943	ERC30-02L38	SI DIODE		
D1945	MTZJ5.6A-T2	ZENER DIODE		
D1971	1SR124-400A-T2	SI DIODE		
D1981	1SS133-T2	SI DIODE		
D1982	1SS133-T2	SI DIODE		
D1983	1SS133-T2	SI DIODE		

TRANSISTOR

Q1101	2SC5083/L-P/-T	SI TRANSISTOR		
Q1102	DTC124ESA-T	DIGI TRANSISTOR		
Q1103	2SC1740S/QR/-T	SI TRANSISTOR		
Q1104	2SA933AS/QR/-T	SI TRANSISTOR		
Q1105	DTC124ESA-T	DIGI TRANSISTOR		
Q1106	DTC124ESA-T	DIGI TRANSISTOR		
Q1107	2SC1740S/QR/-T	SI TRANSISTOR		
Q1108	2SA933AS/QR/-T	SI TRANSISTOR		
Q1109	2SA933AS/QR/-T	SI TRANSISTOR		
Q1110	DTC124ESA-T	DIGI TRANSISTOR		
Q1111	DTC124ESA-T	DIGI TRANSISTOR		
Q1202	2SA933AS/QR/-T	SI TRANSISTOR		
Q1231	2SC1740S/QR/-T	SI TRANSISTOR		
Q1351	2SC3620	SI TRANSISTOR		
Q1352	2SC3620	SI TRANSISTOR		
Q1353	2SC3620	SI TRANSISTOR		
Q1422	2SC1740S/QR/-T	SI TRANSISTOR		
Q1423	2SC1740S/QR/-T	SI TRANSISTOR		
Q1424	2SC1740S/QR/-T	SI TRANSISTOR		
Q1425	2SA933AS/QR/-T	SI TRANSISTOR		
Q1521	BSN304-T	TRANSISTOR		
Q1522	2SD1878-YD	PW TRANSISTOR		H. OUT
Q1523	2SC1815/YG/-T	SI TRANSISTOR		
Q1601	2SC1740S/QR/-T	SI TRANSISTOR		
Q1602	2SC1740S/QR/-T	SI TRANSISTOR		
Q1603	DTC124ESA-T	DIGI TRANSISTOR		
Q1604	2SC1740S/QR/-T	SI TRANSISTOR		
Q1605	DTC124ESA-T	DIGI TRANSISTOR		
Q1606	2SA933AS/QR/-T	SI TRANSISTOR		
Q1607	2SA933AS/QR/-T	SI TRANSISTOR		
Q1608	2SC1740S/QR/-T	SI TRANSISTOR		
Q1631	2SC1740S/QR/-T	SI TRANSISTOR		
Q1632	2SC1740S/QR/-T	SI TRANSISTOR		
Q1633	DTC363TS-T	DIGI TRANSISTOR		
Q1681	DTC323TS-T	DIGI TRANSISTOR		
Q1682	2SA933AS/QR/-T	SI TRANSISTOR		
Q1683	DTC323TS-T	DIGI TRANSISTOR		
Q1701	2SA933AS/QR/-T	SI TRANSISTOR		
Q1702	2SC1740S/QR/-T	SI TRANSISTOR		
Q1703	2SC1740S/QR/-T	SI TRANSISTOR		

Symbol No.	Part No.	Part Name	Description	Local
TRANSISTOR				
Q1751	DTA124ESA-T	DIGI	TRANSISTOR	
Q1752	25C1740S/QR/-T	SI	TRANSISTOR	
Q1753	DTC124ESA-T	DIGI	TRANSISTOR	
Q1941	25C1740S/QR/-T	SI	TRANSISTOR	
Q1942	DTC144GSA-T	DIGI	TRANSISTOR	
Q1971	25A966/0Y/-T	SI	TRANSISTOR	
Q1972	DTC144GSA-T	DIGI	TRANSISTOR	
Q1981	25A933AS/QR/-T	SI	TRANSISTOR	

IC				
IC1001	TA78L005AP-T	IC		
IC1101	M523425P	IC		
IC1201	TB1226EN	IC		
IC1202	LA7222	IC		
IC1421	LA7840	IC		
IC1601	AN7395K	IC		
IC1602	TDA7315	IC		
IC1651	LA4446	IC		
IC1701	M37212M8-059SP	IC (MICROCOMPUTER)		
IC1702	AT24C08-21F8BK	IC (MEMORY)	(Service)	
IC1703	L78LR05E-MA	IC (5V REG/RESET)		
IC1751	PIC-28043SR	IR DETECT UNIT		
IC1921	STR-F6654	SW REG IC		
IC1941	S1854A	IC		
IC1971	BA17812T	IC (12V REG)		
IC1972	BA17809T	IC (9V REG)		
IC1973	BA17805T	IC (5V REG)		

OTHERS				
	LC30114-001C-H	LED HOLDER		
	CM35921-005-H	CDS HOLDER		
CF1103	QAX0339-001	CERAMIC TRAP		
CF1104	TPS5.5MW	C TRAP		
CF1105	TPS6.5MB	CERAMIC TRAP		
CF1106	TPSH6.0MB	CERAMIC TRAP		
CF1601	SFSH4.5MCB	CERAMIC FILTER		
CF1604	QAX0336-001	CERAMIC FILTER		
CF1606	QAX0337-001	CERAMIC FILTER		
CF1608	QAX0338-001	CERAMIC FILTER		
△ CP1551	ICP-N50-Y	IC PROTECTOR		
△ CP1942	ICP-N75-Y	IC PROTECTOR		
△ CP1943	ICP-N75-Y	IC PROTECTOR		
△ CP1944	ICP-N5-Y	IC PROTECTOR		
EF1201	CE42142-222Z	EMI FILTER		
△ F1901	QMF51E2-3R15J4	FUSE	3.15A	
FC1901	CEMG002-001Z	FUSE CLIP (x2)		
△ FR1001	QRZ9017-100	FUSIBLE RESISTOR		
△ FR1551	QRZ9017-4R7	F R	4.7Ω	1/4W J
△ FR1552	QRZ9021-1R0	F R	1.0Ω	1W J
△ FR1554	QRZ9017-150	F R	15Ω	1/4W J
J1001	CEMN075-001	PIN JACK		
J1002	CEMN065-001	PIN JACK		
J1003	CEMN065-002	PIN JACK		
J1004	CEMN072-003	PIN JACK		
J1005	CEMN076-001	PIN JACK		
K1001	CE41433-001Z	BEADS CORE		
K1201	CE41433-001Z	BEADS CORE		
K1301	CE41433-001Z	BEADS CORE		
K1422	CE41433-001Z	BEADS CORE		
K1701	CE41433-001Z	BEADS CORE		
K1702	CE41433-001Z	BEADS CORE		
K1703	CE41433-001Z	BEADS CORE		
K1704	CE41433-001Z	BEADS CORE		
K1705	CE41433-001Z	BEADS CORE		
K1706	CE41433-001Z	BEADS CORE		
K1707	CE41433-001Z	BEADS CORE		
K1708	CE41433-001Z	BEADS CORE		
K1921	CE41433-001Z	BEADS CORE		
K1922	CE42050-001Z	CORE SLEEVE		
K1923	CE41433-001Z	BEADS CORE		
K1941	CE42050-001Z	CORE SLEEVE		
K1942	CE41433-001Z	BEADS CORE		
K1943	CE42050-001Z	CORE SLEEVE		

Symbol No.	Part No.	Part Name	Description	Local
OTHERS				
△ LF1902	QQR0527-002	LINE FILTER		
△ PC1921	PC123F2	PHOTO COUPLER		
S1751	QSW0619-003Z	PUSH SWITCH		MENU
S1752	QSW0619-003Z	PUSH SWITCH		CH-
S1753	QSW0619-003Z	PUSH SWITCH		CH+
S1754	QSW0619-003Z	PUSH SWITCH		VOL-
S1755	QSW0619-003Z	PUSH SWITCH		VOL+
△ S1901	QSP4K21-C01	PUSH SWITCH		POWER
SF1101	QAX0323-001	SAW FILTER		
SF1102	QAX0325-001	SAW FILTER		
△ SK1351	CE42446-001	CRT SOCKET		
TH1901	QAD0101-9R0	P THERMISTOR		
TU1001	QAU0186-001	TUNER		
△ VA1901	ERZV10V621CS	VARISTOR		
X1301	QAX0354-001	XTAL		
X1701	CST8.00MTW	C RESONATOR		

A2 P.W. BOARD ASS'Y (SCL0A001A-BK)

Symbol No.	Part No.	Part Name	Description	Local
RESISTOR				
R6601	NRSA02J-333X	CH MG R	33kΩ 1/10W	J
R6602	NRSA02J-153X	CH MG R	15kΩ 1/10W	J
R6603	NRSA02J-221X	CH MG R	220Ω 1/10W	J
R6604	NRSA02J-222X	CH MG R	2.2kΩ 1/10W	J
R6605	NRSA02J-561X	CH MG R	560Ω 1/10W	J
R6606	NRSA02J-102X	CH MG R	1kΩ 1/10W	J
R6608	NRSA02J-392X	CH MG R	3.9kΩ 1/10W	J
R6609	NRSA02J-823X	CH MG R	82kΩ 1/10W	J
R6610	NRSA02J-822X	CH MG R	8.2kΩ 1/10W	J
R6611	NRSA02J-472X	CH MG R	4.7kΩ 1/10W	J
R6612	NRSA02J-102X	CH MG R	1kΩ 1/10W	J
R6622	NRSA02J-101X	CH MG R	100Ω 1/10W	J
R6623	NRSA02J-104X	CH MG R	100kΩ 1/10W	J
R6626	NRSA02J-183X	CH MG R	18kΩ 1/10W	J
R6628	NRSA02J-0R0X	CH MG R	0.0Ω 1/10W	J
R6631	NRSA02J-0R0X	CH MG R	0.0Ω 1/10W	J

CAPACITOR

C6601	NDC21HJ-470X	CH C CAP.	47pF	50V	J
C6602	NDC21HJ-470X	CH C CAP.	47pF	50V	J
C6603	NCB21HK-103X	CH C CAP.	0.01μF	50V	K
C6604	QETC1CM-107Z	E CAP.	100μF	16V	M
C6605	NDC21HJ-101X	CH C CAP.	100pF	50V	J
C6606	NCB21HK-103X	CH C CAP.	0.01μF	50V	K
C6608	NDC21HJ-390X	CH C CAP.	39pF	50V	J
C6609	NDC21HJ-4R0X	CH C CAP.	4.0pF	50V	J
C6610	NCB21HK-222X	CH C CAP.	2200pF	50V	K
C6611	NCB21HK-223X	CH C CAP.	0.022μF	50V	K
C6612	QEN61HM-335Z	BP E CAP.	3.3μF	50V	M
C6613	QEN61HM-335Z	BP E CAP.	3.3μF	50V	M
C6614	NCB21HK-562X	CH C CAP.	5600pF	50V	K
C6615	QETC1CM-107Z	E CAP.	100μF	16V	M
C6621	QEN61HM-335Z	BP E CAP.	3.3μF	50V	M

TRANSFORMER

T6601	QQR0764-001	SIF TRANSF.
-------	-------------	-------------

COIL

L6601	QQL03BJ-120Z	PEAKING COIL
-------	--------------	--------------

DIODE

D6604	MA3075/M/-X	CHIP ZENER DIODE
D6605	MA3091/H/-X	CHIP ZENER DIODE
Q6601	25C2412K/QR/-X	CHIP TRANSISTOR
Q6602	25C2412K/QR/-X	CHIP TRANSISTOR

IC

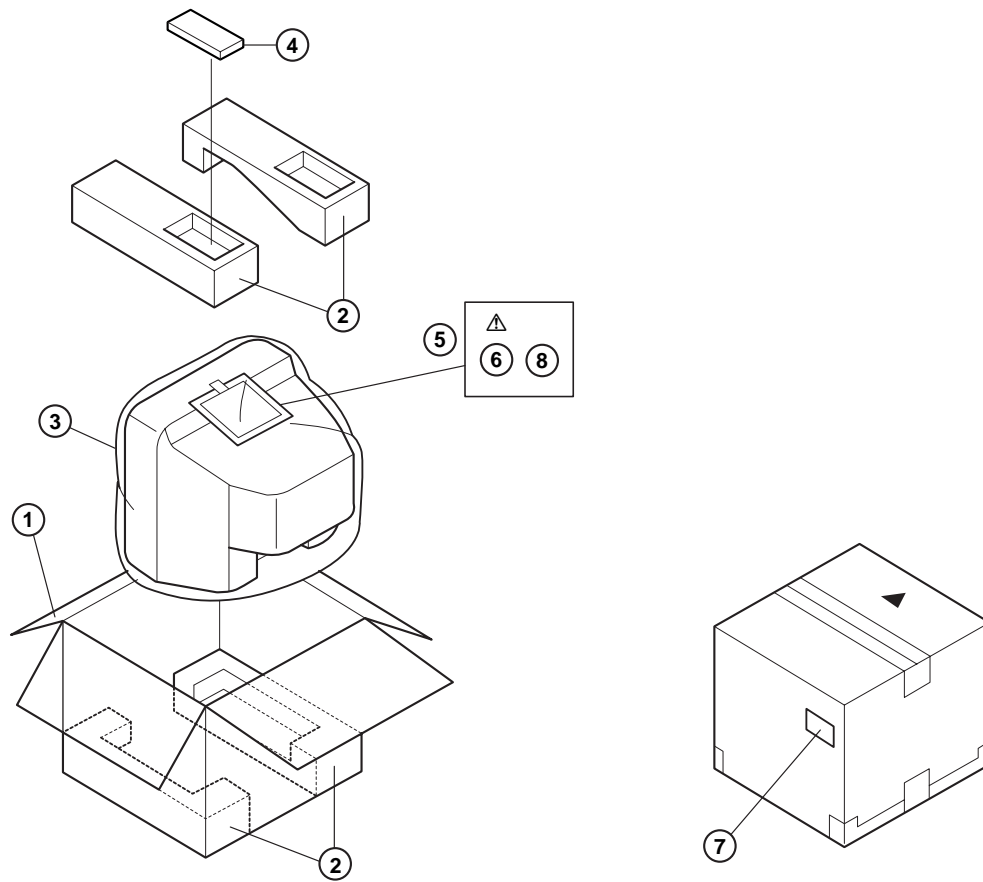
IC6601	AN5215	IC
IC6602	LA7016	IC

OTHERS

CF6601	SFE5.74MC2	C TRAP
CF6602	SFE5.74MC2	C TRAP

Symbol No.	Part No.	Part Name	Description	Local
------------	----------	-----------	-------------	-------

PACKING



PACKING PARTS LIST

△ Ref.No.	Part No.	Part Name	Description	Local
1	CP11434-058-H	PACKING CASE	4 pcs. in 1 set	
2	LC10516-002A-H	CUSHION ASSY		
3	CP30697-005-H	POLY BAG		
4	RM-C219-1C	REMOCON UNIT		
5	QPA02503505	POLY BAG		
△ 6	LCT0731-001A-H	INST BOOK		
7	CM47385-00B-H	POS/SERIAL LABEL		
8	ATEAB001-00A	MATCHING BOX		

REMOTE CONTROL UNIT PARTS LIST (RM-C219-1C)

△ Ref.No.	Part No.	Part Name	Description	Local
	3139 224 20073	BATTERY COVER		

